

# E-volt

*Gücümüz Teknolojiden , Işığımız Yenilikten.*

## Endüstriyel Aydınlatma Armatürleri

[www.e-volt.com.tr](http://www.e-volt.com.tr)





## Technical description

- Polycarbonate housing
- Lighting grade PC opal diffuser
- SMD LED light source
- PG7 IP65 Cable gland
- PVC sealing gasket
- IK08 impact resistant
- Stainless steel mounting parts
- 100.000 hours LED service light according to LM80 & TM21 standards
- Option: Switchable or dimmable, 3-hours emergency kit
- SDCM ≤ 3 (3-step Mac Adam)
- Electronic control gear
- Input voltage: 220-240V AC
- Ambient temperature: -20°C ... +60°C
- 5-years warranty

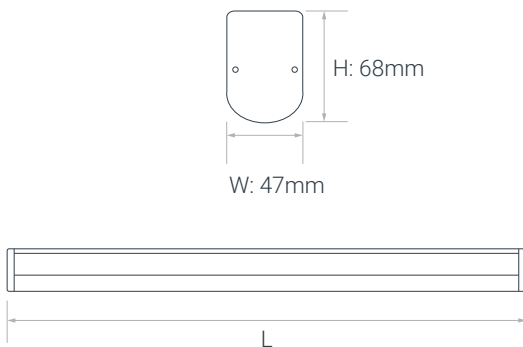


- Standard 1500mm suspension set is available

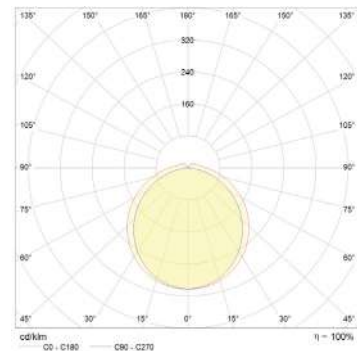
## TECHNICAL DATA

Code	W	Luminous Flux (lm)	Efficiency (lm/W)	CRI	Color Temperature	Dimensions WxLxH (mm)
1200CX.36.02	36W	4320 lm	>120 lm/W	>80	4000K - 6500K	47x1200x68
1500CX.45.02	45W	5400 lm	>120 lm/W	>80	4000K - 6500K	47x1500x68
1500CX.72.02	72W	8640 lm	>120 lm/W	>80	4000K - 6500K	47x1500x68

## TECHNICAL DRAWING



## LIGHT BEAM





## SEAL



### Technical description

- Aluminium extrusion housing
- Lighting grade PC opal diffuser
- SMD LED light source
- PG7 IP65 Cable gland
- PVC sealing gasket
- IK08 impact resistant
- Stainless steel mounting parts
- 100.000 hours LED service light according to LM80 & TM21 standards
- Option: Switchable or dimmable, 3-hours emergency kit
- SDCM ≤ 3 (3-step Mac Adam)
- Electronic control gear
- Input voltage: 220-240V AC
- Ambient temperature: -20 °C ... +60 °C
- 5-years warranty

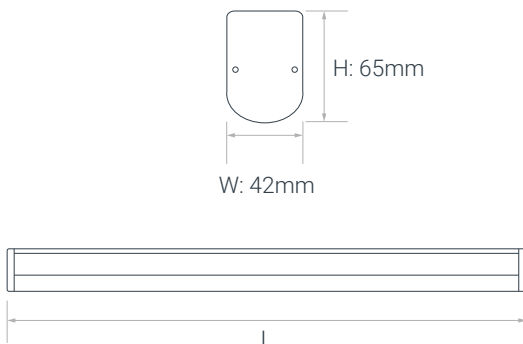


- Standard 1500mm suspension set is available

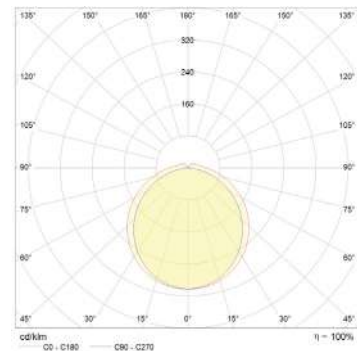
### TECHNICAL DATA

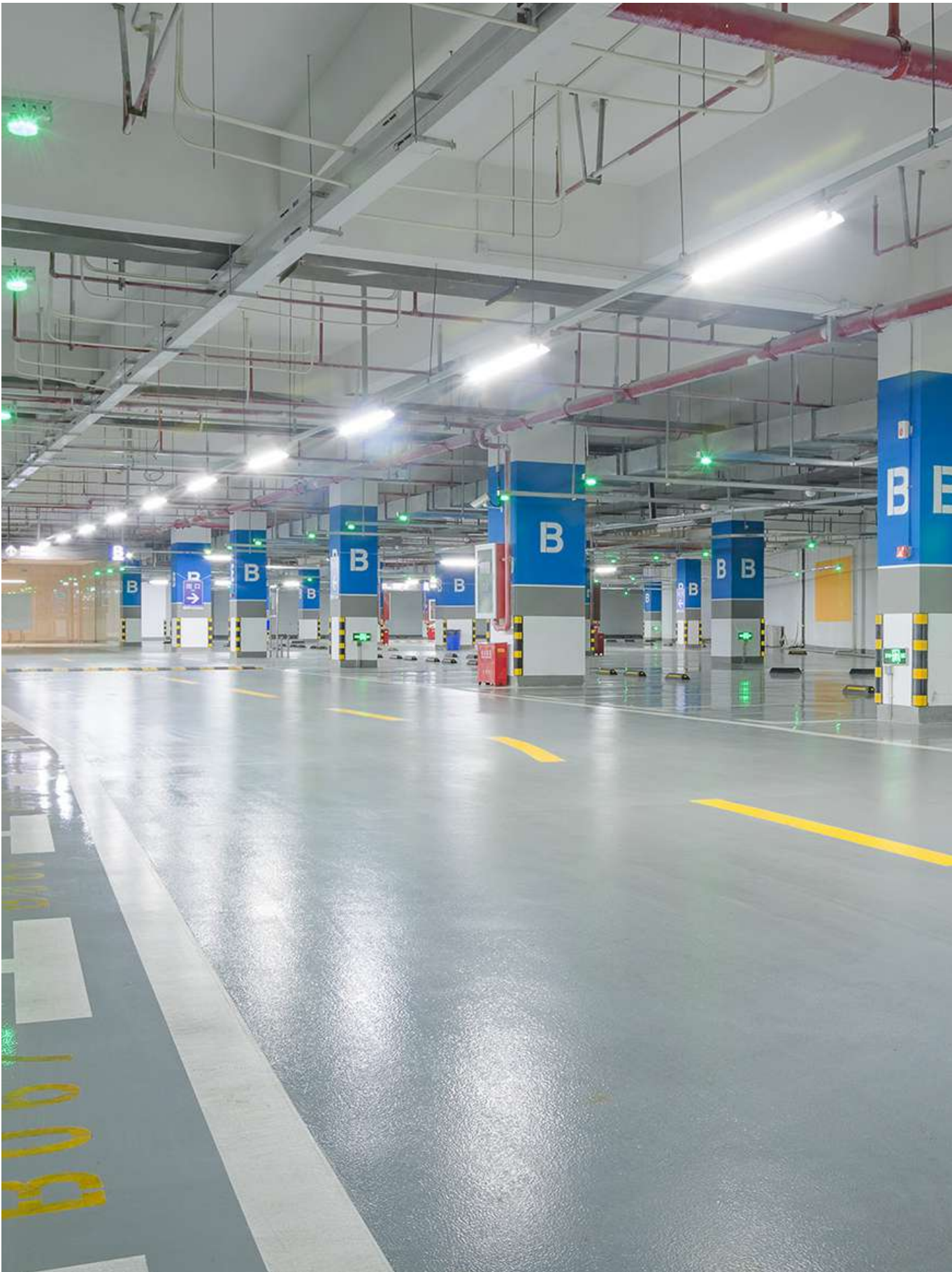
Code	W	Luminous Flux (lm)	Efficiency (lm/W)	CRI	Color Temperature	Dimensions WxLxH (mm)
600SE.18.02	18W	2160 lm	>120 lm/W	>80	4000K - 6500K	42x600x65
900SE.27.02	27W	3240 lm	>120 lm/W	>80	4000K - 6500K	42x900x65
1200SE.36.02	36W	4320 lm	>120 lm/W	>80	4000K - 6500K	42x1200x65
1500SE.45.02	45W	5400 lm	>120 lm/W	>80	4000K - 6500K	42x1500x65
1500SE.72.02	72W	8640 lm	>120 lm/W	>80	4000K - 6500K	42x1500x65

### TECHNICAL DRAWING



### LIGHT BEAM







## Technical description

- Polycarbonate housing
- Lighting grade PC opal diffuser
- SMD LED light source
- PG9 IP65 Cable gland
- PVC sealing gasket
- IK08 impact resistant
- Stainless steel mounting parts
- 100.000 hours LED service light according to LM80 & TM21 standards
- Option: Switchable or dimmable, 3-hours emergency kit
- SDCM  $\leq 3$  (3-step Mac Adam)
- Electronic control gear
- Input voltage: 220-240V AC
- Ambient temperature:  $-20^{\circ}\text{C}$  ...  $+40^{\circ}\text{C}$
- 5-years warranty

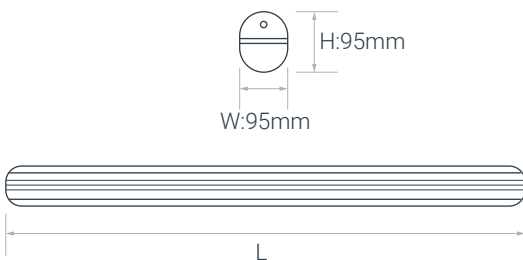


- Standard 1500mm suspension set is available

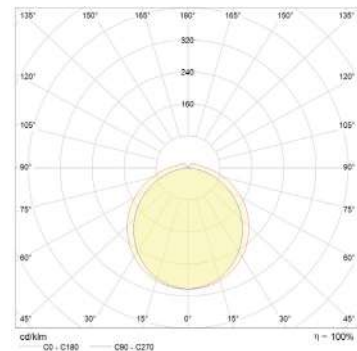
## TECHNICAL DATA

Code	W	Luminous Flux (lm)	Efficiency (lm/W)	CRI	Color Temperature	Dimensions WxLxH (mm)
1200RA.27.02	27W	2970 lm	>110 lm/W	>80	4000K - 6500K	95x1200x95
1200RA.36.02	36W	3960 lm	>110 lm/W	>80	4000K - 6500K	95x1200x95
1500RA.45.02	45W	4950 lm	>110 lm/W	>80	4000K - 6500K	95x1500x95
1500RA.60.02	60W	6600 lm	>110 lm/W	>80	4000K - 6500K	95x1500x95

## TECHNICAL DRAWING



## LIGHT BEAM





## EYRIE MAXI



### Technical description

- Electrostatic powder coated aluminium die cast body
- IP65 protection class
- PC highbay lenses (LEDIL) with IP65 protection class
- Rack beam and Wide beam options
- IK08 impact resistant
- SMD LED light source (CRI>80)
- 3-Step MacAdam color consistency
- UGR<22
- Option: Switchable or dimmable, 1-10V, DALI, Touch-Dim, Casambi
- Option: PIR Sensor and Microwave sensor can be integrated
- Option: 3-Hours Emergency kit
- 100.000 hours life span (L80B10)
- 220-240VAC
- -20°C ... +55°C

### TECHNICAL DATA

Code	W	Luminous Flux (lm)	Efficiency (lm/W)	CRI	Color Temperature	Dimensions ØxH (mm)
332EYR.130.03	130W	22625lm	>174 lm/W	>80	3000K-6500K	Ø332x65mm
332EYR.150.03	150W	25010lm	>166 lm/W	>80	3000K-6500K	Ø332x65mm

### MOUNTING

Mounting with stainless Eyebolt.



Product can suspended with suspension chain

Mounting with stainless Eyebolt with Integrated Driver



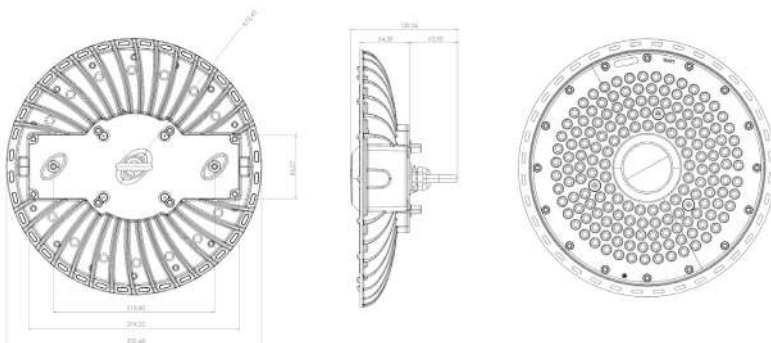
Product can be reach 200W with integrated driver

Mounting with fabricated steel electro static powder coated Bracket.



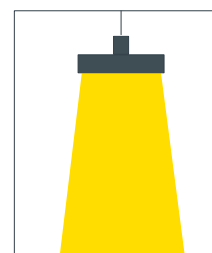
Product can be angled

### TECHNICAL DRAWING



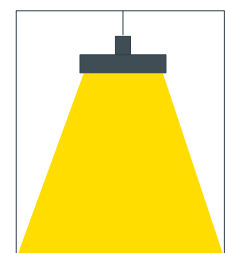
### LIGHT BEAM

Rack Beam

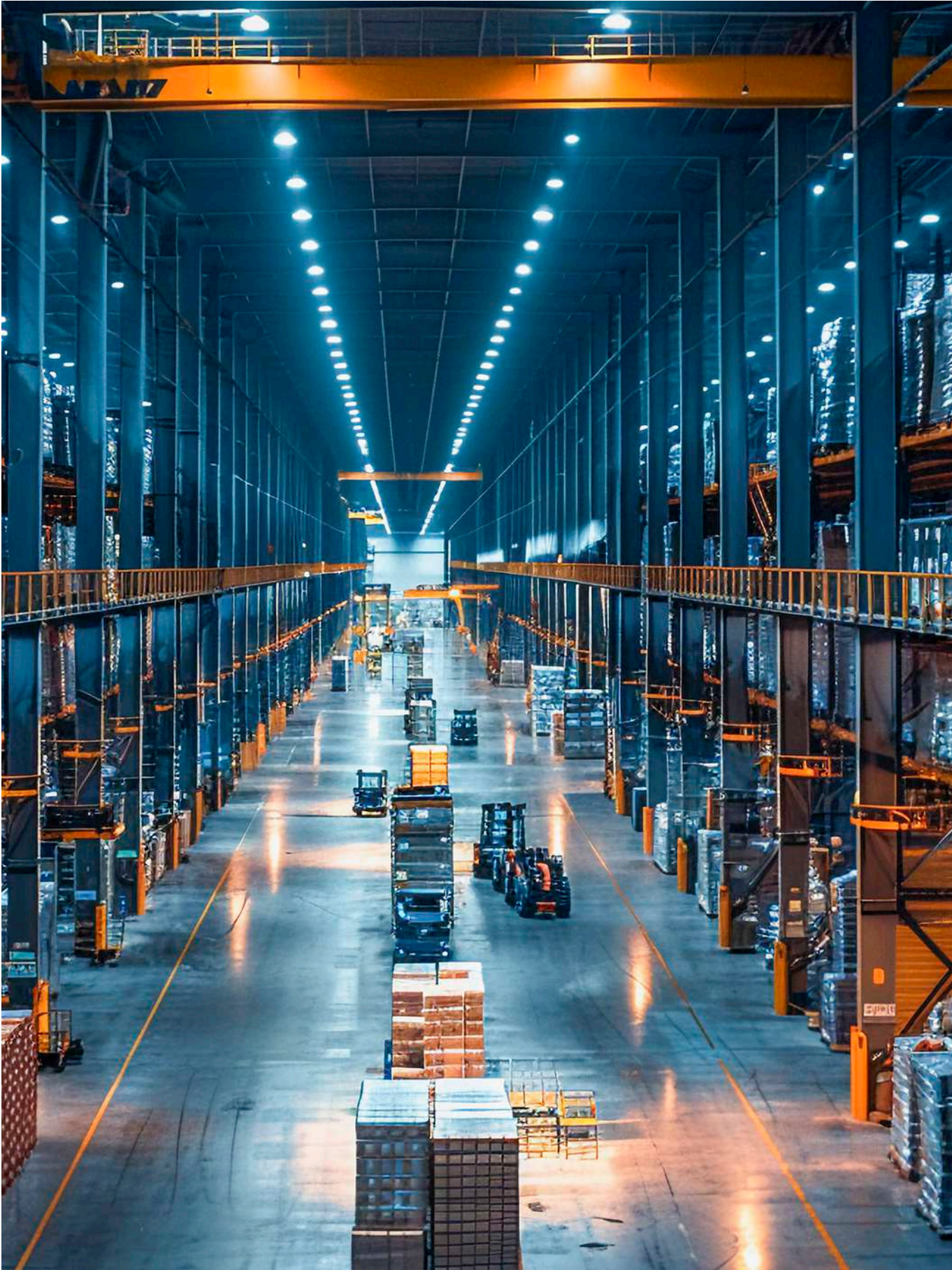


Suitable for, High & Low Rack Applications

Wide Beam



Suitable for, Maximising Luminaire Spacing





## Technical description

- Electrostatic powder coated aluminium die cast body
- IP65 protection class
- PC highbay lenses (LEDIL) with IP65 protection class
- Rack beam and Wide beam options
- IK08 impact resistant
- SMD LED light source (CRI>80)
- 3-Step MacAdam color consistency
- UGR<22
- Option: Switchable or dimmable, 1-10V, DALI, Touch-Dim, Casambi
- Option: PIR Sensor and Microwave sensor can be integrated
- Option: 3-Hours Emergency kit
- 100.000 hours life span (L80B10)
- 220-240VAC
- -20°C ... +55°C

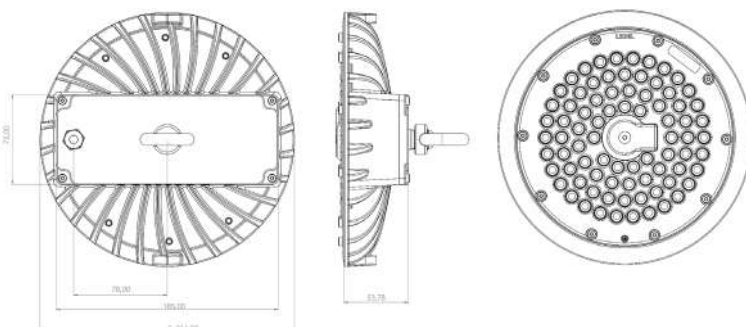
## TECHNICAL DATA

Code	W	Luminous Flux (lm)	Efficiency (lm/W)	CRI	Color Temperature	Dimensions ØxH (mm)
212EYR.45.03	45W	8192lm	>182 lm/W	>80	3000K-6500K	Ø212x54mm
212EYR.65.03	65W	11120lm	>171 lm/W	>80	3000K-6500K	Ø212x54mm
212EYR.85.03	85W	14456lm	>170 lm/W	>80	3000K-6500K	Ø212x54mm

## MOUNTING

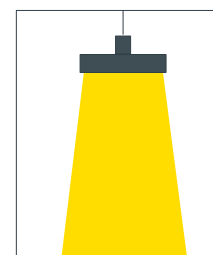


## TECHNICAL DRAWING



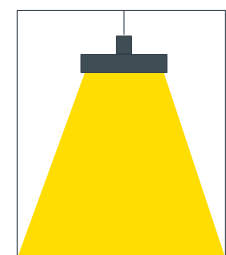
## LIGHT BEAM

### Rack Beam



Suitable for, High & Low Rack Applications

### Wide Beam



Suitable for, Maximising Luminaire Spacing

## ASCENT 2



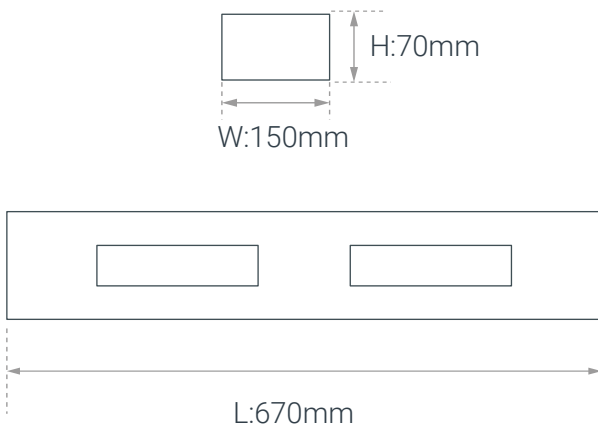
### Technical description

- Fabricated steel luminaire housing
- Electrostatic powder coated surface finish
- PMMA optical high bay lens
- SMD LED light source
- Fixed output electronic control gear
- 3-Step MacAdam color consistency
- UGR<22
- IK08 impact resistant
- Option: Switchable or dimmable, 1-10V, DALI, Touch-Dim, Casambi
- Option: PIR Sensor and Microwave sensor can be integrated
- Option: 3-Hours Emergency kit
- 100.000 hours life span (L80B10)
- 220-240VAC
- -20 °C ... +55 °C

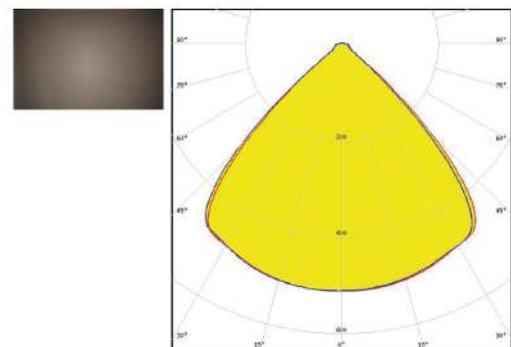
### TECHNICAL DATA

Code	W	Luminous Flux (lm)	Efficiency (lm/W)	CRI	Color Temperature	Dimensions WxLxH (mm)
670ASC2.120.02	2x60W	16200 lm	>135 lm/W	>80	4000K - 6500K	150x670x70mm

### TECHNICAL DRAWING



### LIGHT BEAM



## ASCENT 3



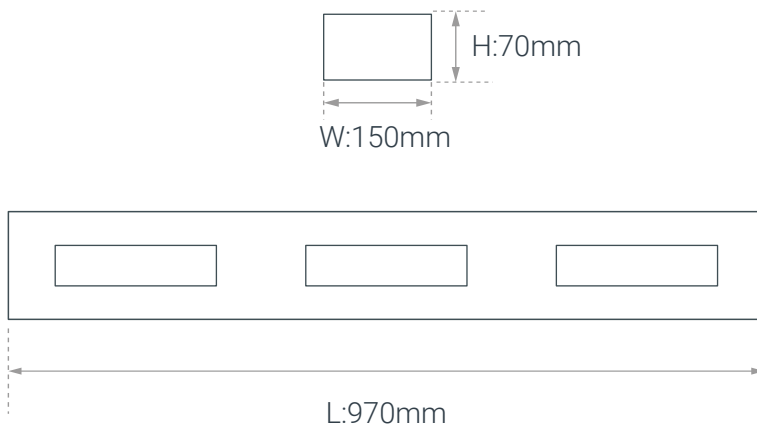
### Technical description

- Fabricated steel luminaire housing
- Electrostatic powder coated surface finish
- PMMA optical high bay lens
- SMD LED light source
- Fixed output electronic control gear
- 3-Step MacAdam color consistency
- UGR<22
- IK08 impact resistant
- Option: Switchable or dimmable, 1-10V, DALI, Touch-Dim, Casambi
- Option: PIR Sensor and Microwave sensor can be integrated
- Option: 3-Hours Emergency kit
- 100.000 hours life span (L80B10)
- 220-240VAC
- -20 °C ... +55 °C

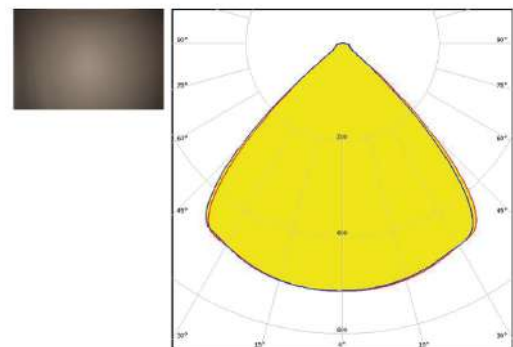
### TECHNICAL DATA

Code	W	Luminous Flux (lm)	Efficiency (lm/W)	CRI	Color Temperature	Dimensions WxLxH (mm)
970ASC3.120.02	3x40W	16560 lm	>138 lm/W	>80	4000K - 6500K	150x970x70mm

### TECHNICAL DRAWING



### LIGHT BEAM







## FLOOD PRO MAXI



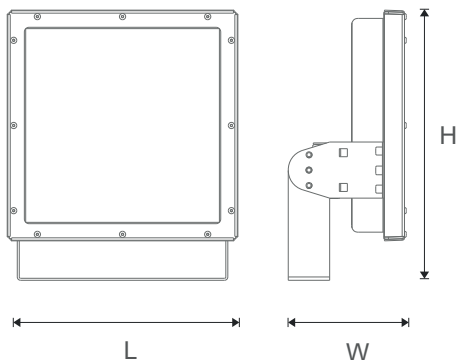
### Technical description

- Aluminium alloy die cast body
- Electrostatic powder coated surface finish
- PMMA optical high bay lens
- SMD LED light source
- Fixed output electronic control gear
- 3-Step MacAdam color consistency
- UGR<22
- IK08 impact resistant
- Option: Switchable or dimmable, 1-10V, DALI, Touch-Dim, Casambi
- Option: PIR Sensor and Microwave sensor can be integrated
- Option: 3-Hours Emergency kit
- 100.000 hours life span (L80B10)
- 220-240VAC
- -20°C ... +50°C
- > Tempered glass cover

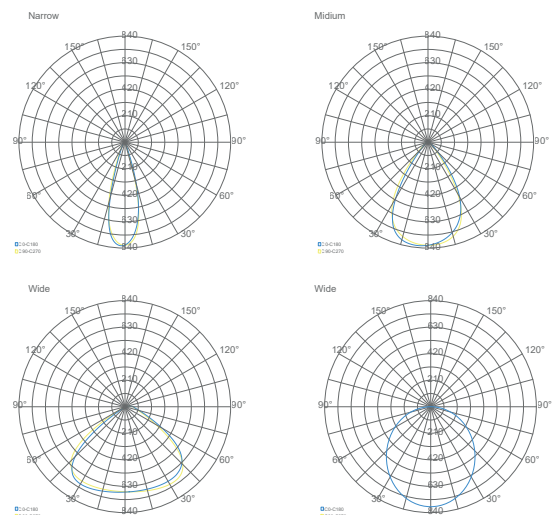
### TECHNICAL DATA

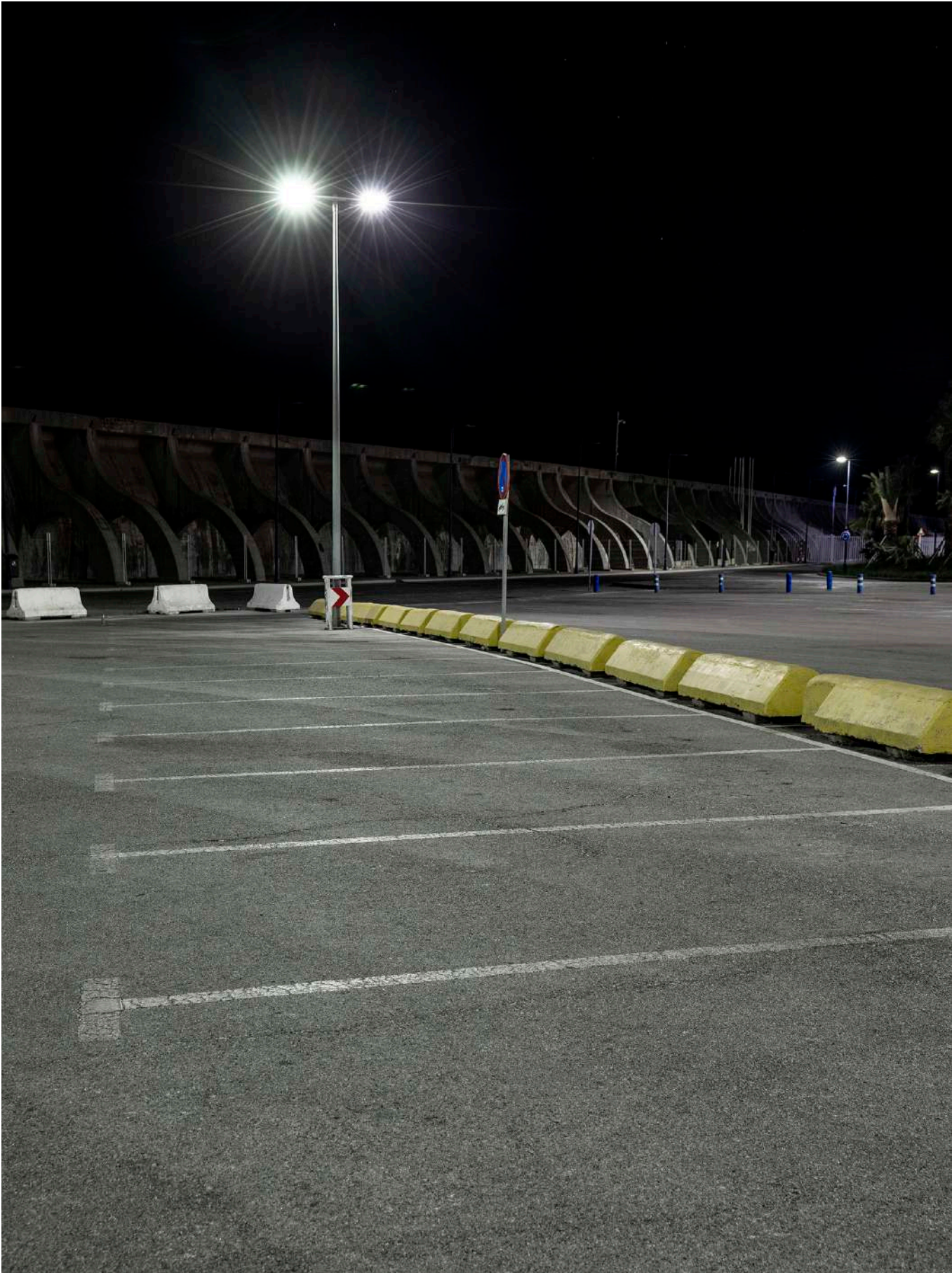
Code	W	Luminous Flux (lm)	Efficiency (lm/W)	CRI	Color Temperature	Dimensions LxHxW (mm)
345FLPMX.150.03	150W	19500lm	>130 lm/W	>80	3000K - 6500K	304x345x140mm
345FLPMX.200.03	200W	26000lm	>130 lm/W	>80	3000K - 6500K	304x345x140mm
345FLPMX.250.03	250W	32500lm	>130 lm/W	>80	3000K - 6500K	304x345x140mm
345FLPMX.300.03	300W	39000lm	>130m/W	>80	3000K - 6500K	304x345x140mm

### TECHNICAL DRAWING



### LIGHT BEAM





## FLOOD PRO 2



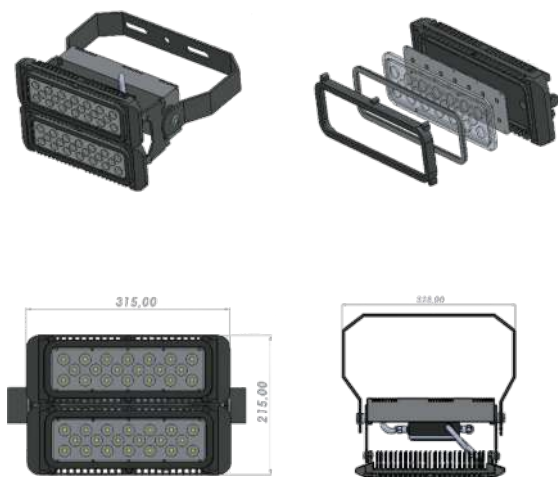
### Technical description

- Aluminium alloy die cast body
- Electrostatic powder coated surface finish
- PMMA optical high bay lens
- SMD LED light source
- Fixed output electronic control gear
- 3-Step MacAdam color consistency
- UGR<22
- IK08 impact resistant
- Option: Switchable or dimmable, 1-10V, DALI, Touch-Dim, Casambi
- Option: PIR Sensor and Microwave sensor can be integrated
- Option: 3-Hours Emergency kit
- 100.000 hours life span (L80B10)
- 220-240VAC
- -20°C ... +50°C

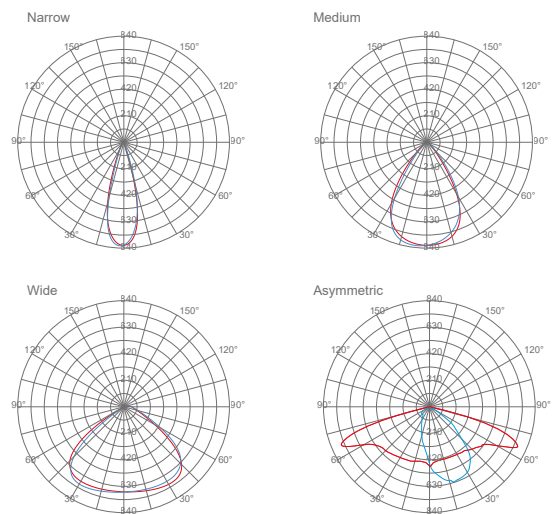
### TECHNICAL DATA

Code	W	Luminous Flux (lm)	Efficiency (lm/W)	CRI	Color Temperature	Dimensions WxLxH (mm)
215FLP2.150.03	150W	18000 lm	>120 lm/W	>80	3000K - 6500K	315x215x273mm

### TECHNICAL DRAWING



### LIGHT BEAM



## FLOOD PRO 3



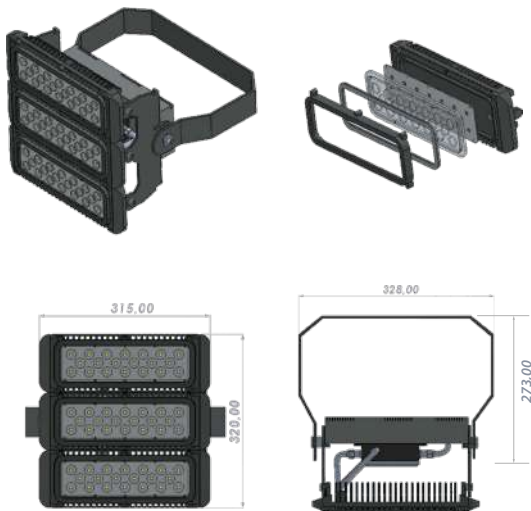
### Technical description

- Aluminium alloy die cast body
- Electrostatic powder coated surface finish
- PMMA optical high bay lens
- SMD LED light source
- Fixed output electronic control gear
- 3-Step MacAdam color consistency
- UGR<22
- IK08 impact resistant
- Option: Switchable or dimmable, 1-10V, DALI, Touch-Dim, Casambi
- Option: PIR Sensor and Microwave sensor can be integrated
- Option: 3-Hours Emergency kit
- 100.000 hours life span (L80B10)
- 220-240VAC
- -20°C ... +50°C

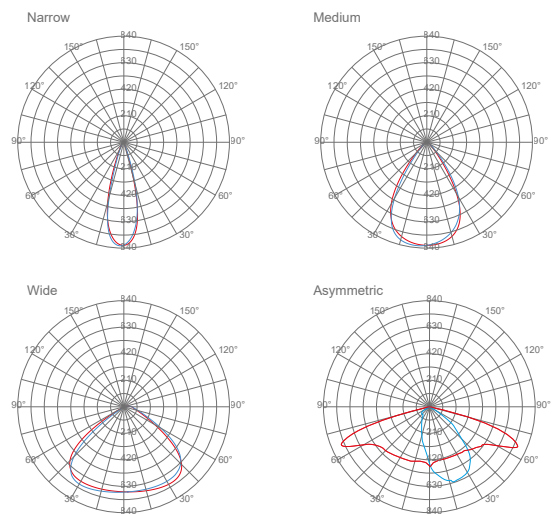
### TECHNICAL DATA

Code	W	Luminous Flux (lm)	Efficiency (lm/W)	CRI	Color Temperature	Dimensions WxLxH (mm)
320FLP3.225.03	225W	27000 lm	>120 lm/W	>80	3000K - 6500K	315x320x273mm

### TECHNICAL DRAWING



### LIGHT BEAM



## FLOOD PRO 4



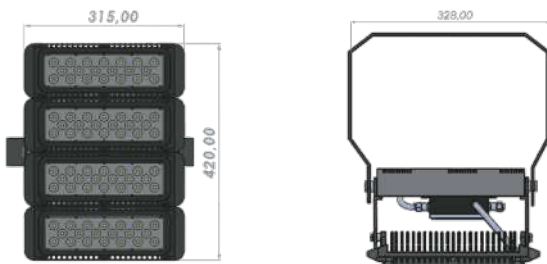
### Technical description

- Aluminium alloy die cast body
- Electrostatic powder coated surface finish
- PMMA optical high bay lens
- SMD LED light source
- Fixed output electronic control gear
- 3-Step MacAdam color consistency
- UGR<22
- IK08 impact resistant
- Option: Switchable or dimmable, 1-10V, DALI, Touch-Dim, Casambi
- Option: PIR Sensor and Microwave sensor can be integrated
- Option: 3-Hours Emergency kit
- 100.000 hours life span (L80B10)
- 220-240VAC
- -20°C ... +50°C

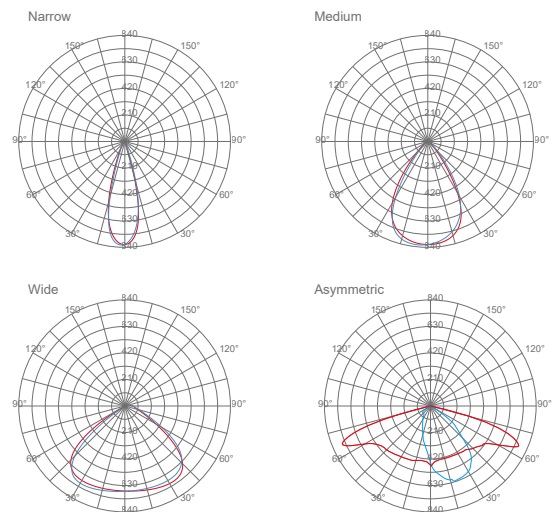
### TECHNICAL DATA

Code	W	Luminous Flux (lm)	Efficiency (lm/W)	CRI	Color Temperature	Dimensions WxLxH (mm)
420FLP4.300.03	300W	36000 lm	>120 lm/W	>80	3000K - 6500K	315x420x328mm

### TECHNICAL DRAWING



### LIGHT BEAM



## FLOOD PRO 6



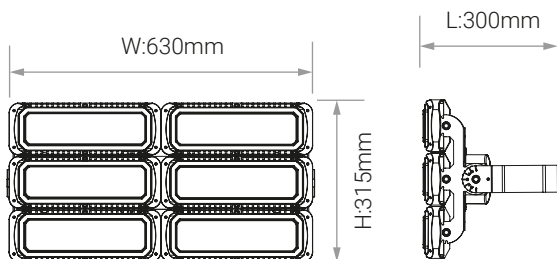
### Technical description

- Aluminium alloy die cast body
- Electrostatic powder coated surface finish
- PMMA optical high bay lens
- SMD LED light source
- Fixed output electronic control gear
- 3-Step MacAdam color consistency
- UGR<22
- IK08 impact resistant
- Option: Switchable or dimmable, 1-10V, DALI, Touch-Dim, Casambi
- Option: PIR Sensor and Microwave sensor can be integrated
- Option: 3-Hours Emergency kit
- 100.000 hours life span (L80B10)
- 220-240VAC
- -20°C ... +50°C

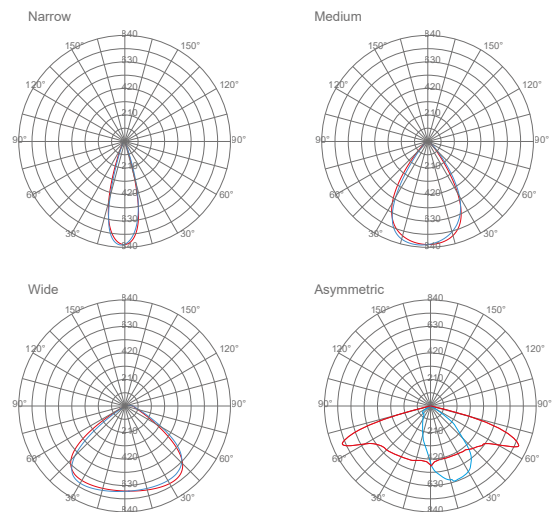
### TECHNICAL DATA

Code	W	Luminous Flux (lm)	Efficiency (lm/W)	CRI	Color Temperature	Dimensions WxLxH (mm)
420FLP4.300.03	300W	36000 lm	>120 lm/W	>80	3000K - 6500K	630x300x315mm

### TECHNICAL DRAWING



### LIGHT BEAM



## HIGH PRO



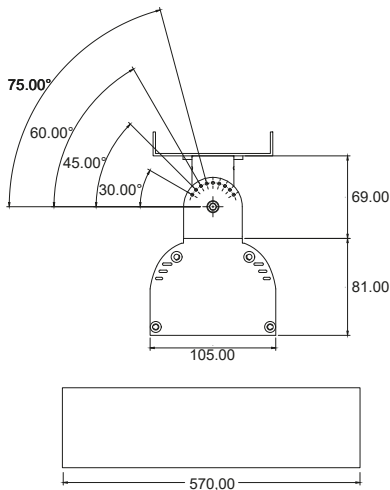
### Technical description

- Aluminium extrusion luminaire housing
- Electrostatic powder coated surface finish
- PMMA optical high bay lens
- SMD LED light source
- Fixed output electronic control gear
- 3-Step MacAdam color consistency
- UGR<22
- IK08 impact resistant
- Option: Switchable or dimmable, 1-10V, DALI, Touch-Dim, Casambi
- Option: PIR Sensor and Microwave sensor can be integrated
- Option: 3-Hours Emergency kit
- 100.000 hours life span (L80B10)
- 220-240VAC
- -20°C ... +50°C

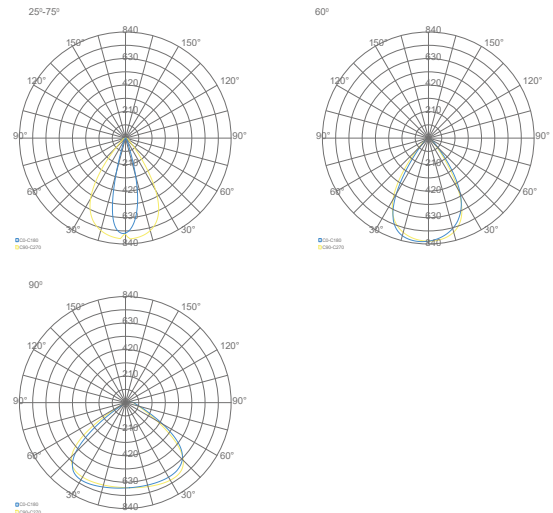
### TECHNICAL DATA

Code	W	Luminous Flux (lm)	Efficiency (lm/W)	CRI	Color Temperature	Dimensions WxLxH (mm)
570HP.97.03	97W	14460lm	>148 lm/W	>80	3000K-6500K	105x570x81mm

### TECHNICAL DRAWING



### LIGHT BEAM



## HIGH PRO 3

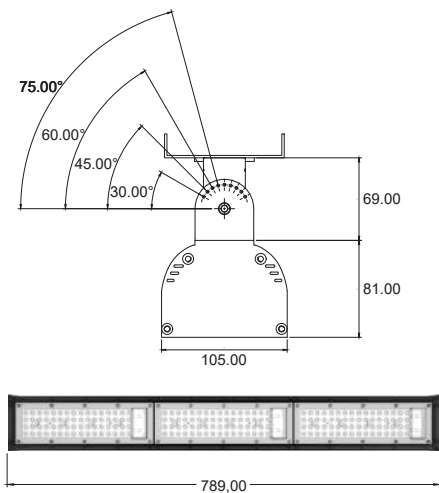


- **Technical description**
- Aluminium extrusion luminaire housing
- Electrostatic powder coated surface finish
- PMMA optical high bay lens
- SMD LED light source
- Fixed output electronic control gear
- 3-Step MacAdam color consistency
- UGR<22
- IK08 impact resistant
- Option: Switchable or dimmable, 1-10V, DALI, Touch-Dim, Casambi
- Option: PIR Sensor and Microwave sensor can be integrated
- Option: 3-Hours Emergency kit
- 100.000 hours life span (L80B10)
- 220-240VAC
- -20 °C ... +50 °C

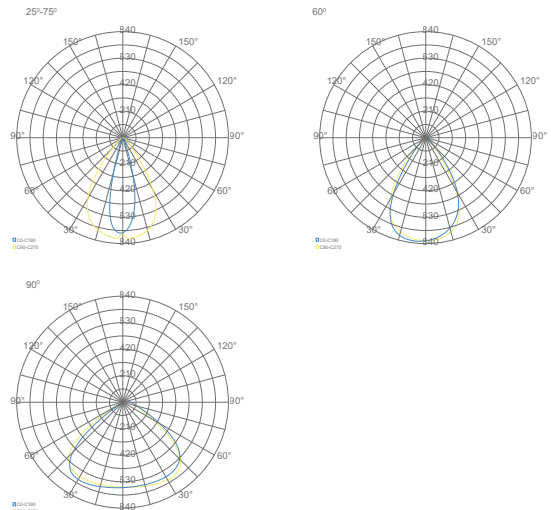
### TECHNICAL DATA

Code	W	Luminous Flux (lm)	Efficiency (lm/W)	CRI	Color Temperature	Dimensions WxLxH (mm)
789HP3.145.02	145W	23635lm	>160 lm/W	>80	3000K-6500K	105x789x81mm

### TECHNICAL DRAWING



### LIGHT BEAM





## 600w High Power Apron Flood Light

### Product Features

- 600w
- 4000K
- Full range power input 90~305VAC
- Aluminium die cast housing
- Tempered glass face
- 30° asymmetric light distribution
- 620 x 454 x 137mm
- Rating: IP66
- Weight: 15kg

#### Options:



Pole Mounted  
Head Frames



Mounting Poles



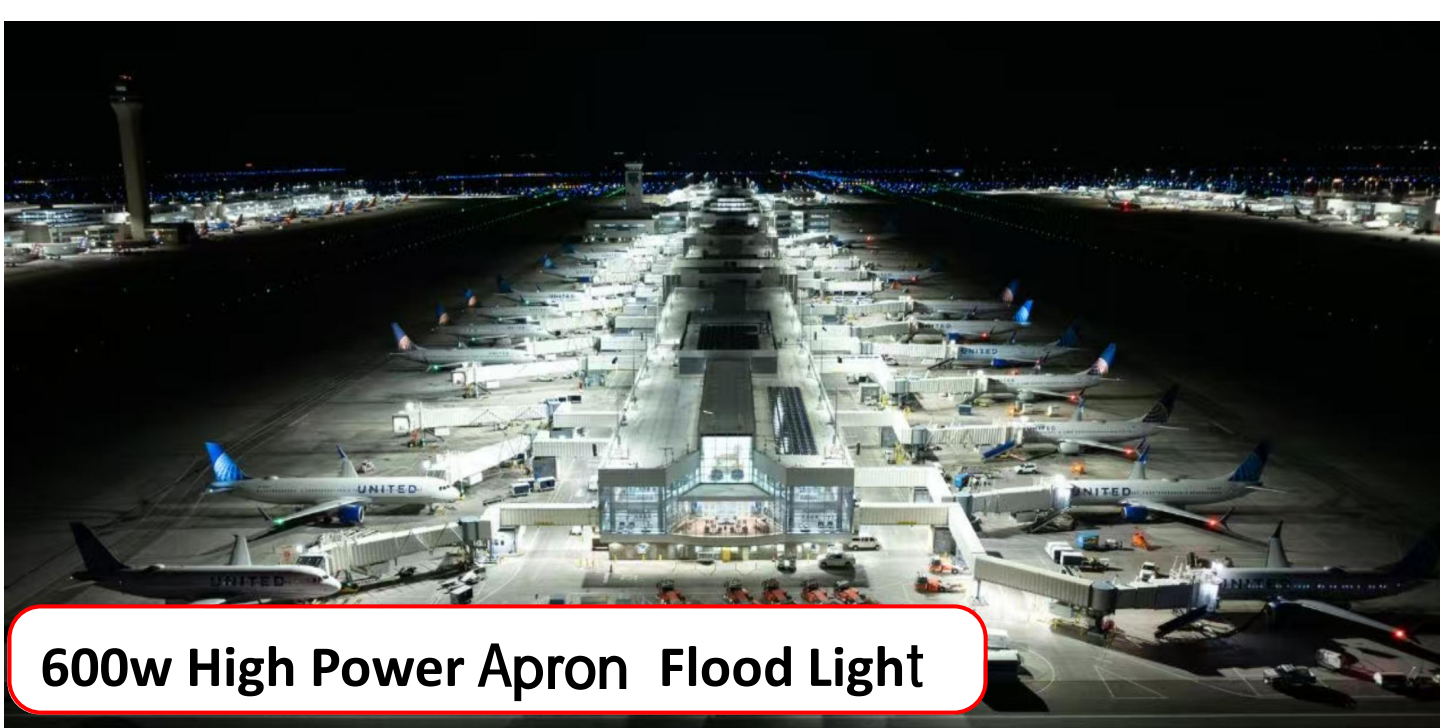
Cut-off Hood



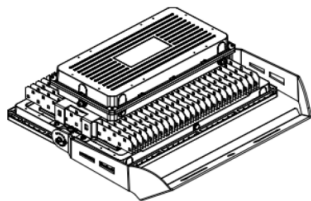
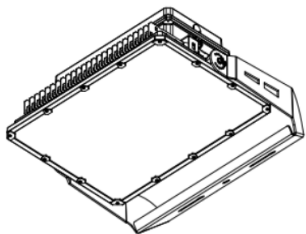
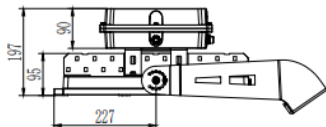
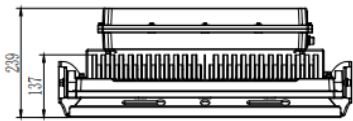
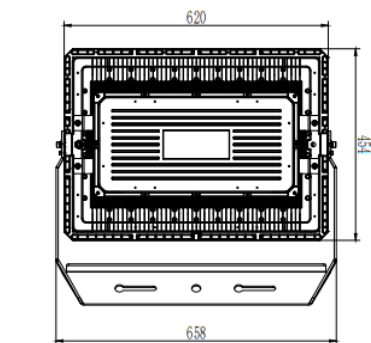
N14256

5627

Model	Watt	Size	CCT	Lumens	Beam Angle	Trim Colour	Weight
FL-600W	600w	672 x 534 x 188mm	5000K	84,000lm	30°	Black	15kg



## 600w High Power Apron Flood Light



Electrical safety CLASS 1

### Specification

Model	FL-600W
Colour Temperature (1CCT)	4000K
Lumen (lm)	84,000lm
Efficiency (lm/w)	>140lm/w
Light Source	LED
CRI (%)	≥70
Beam Angle	30°
Power Requirement	90~305VAC
Power Consumption	600w
Dimmable	No
Housing	Diecast aluminium with asymmetric light distribution
Lifespan	170,000 hours
Operation Temperature	-30°C~+60°C
Product Dimension	620 x 454 x 137mm
Impact Rating	IK08
Weight	15kg
Protection Rating	IP66
Warranty	5 Years
MacAdam ellipse	SDCM 3-5

## CITYPRO MIDI



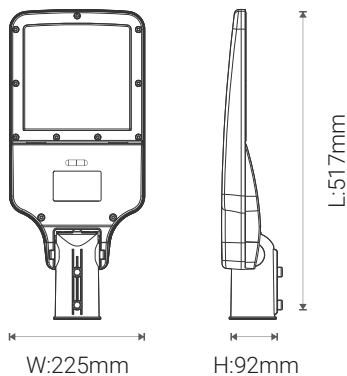
### Technical description

- Aluminium alloy die cast body
- Electrostatic powder coated surface finish
- PMMA optical street lighting lens
- Tempered extra clear safety glass
- SMD LED light source
- Fixed output electronic control gear
- 3-Step MacAdam color consistency
- UGR<22
- IK08 impact resistant
- Option: Switchable or dimmable, 1-10V, DALI, Touch-Dim, Casambi
- Option: NEMA socket can be integrated
- 100.000 hours life span (L80B10)
- 220-240VAC
- -20°C ... +50°C
- Pole connection sizes: 40mm/52mm/60mm

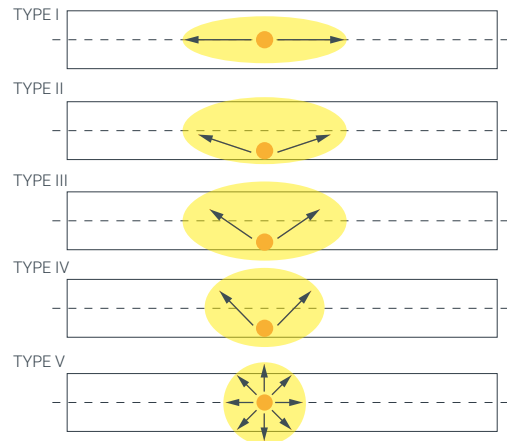
### TECHNICAL DATA

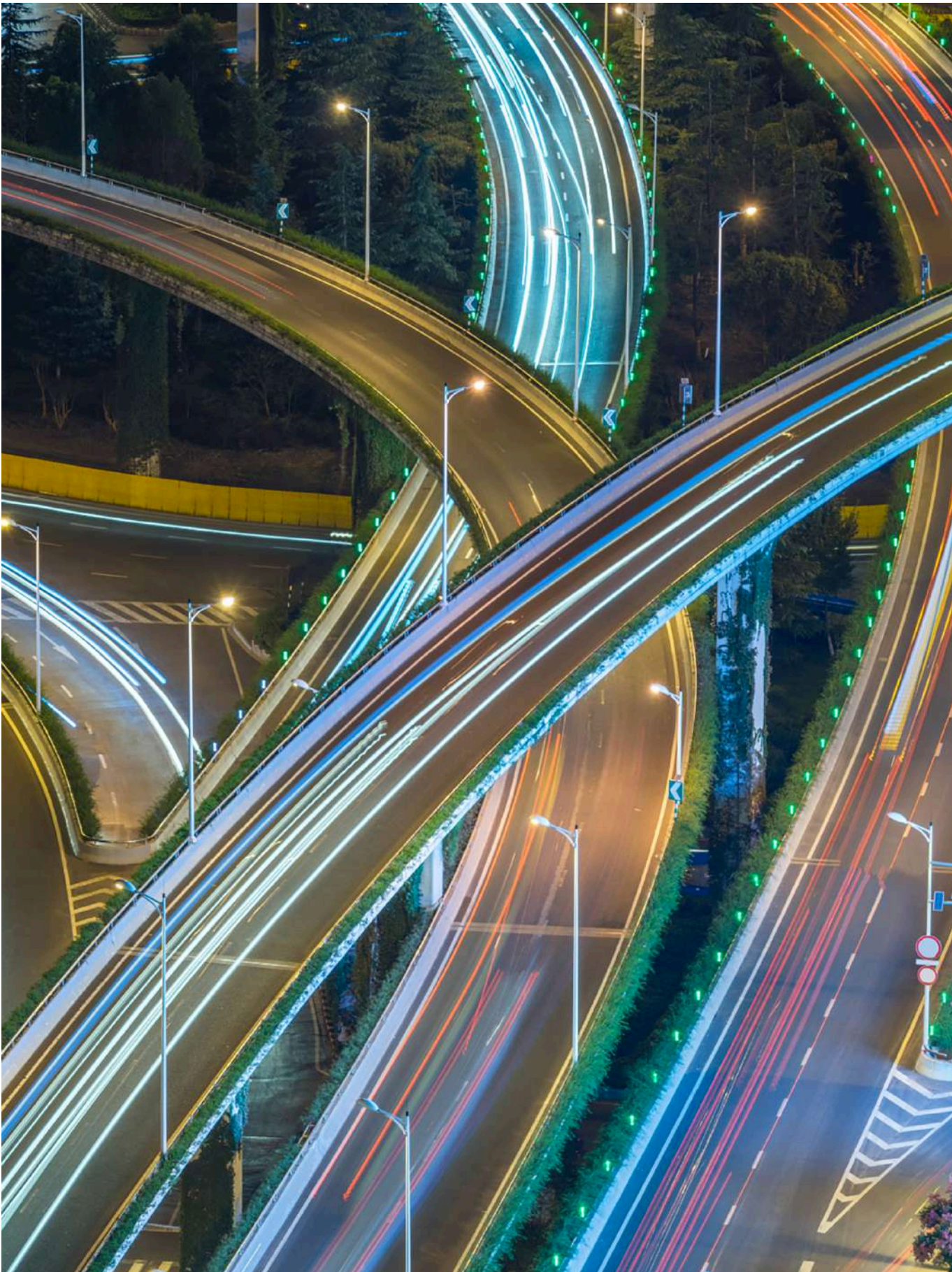
Code	W	Luminous Flux (lm)	Efficiency (lm/W)	CRI	Color Temperature	Dimensions WxLxH (mm)
517CPMD.40.03	40W	5200lm	>130lm/W	>80	3000K-6500K	517x225x92mm
517CMPD.50.03	50W	6500lm	>130lm/W	>80	3000K-6500K	517x225x92mm
517CPMD.60.03	60W	7800lm	>130lm/W	>80	3000K-6500K	517x225x92mm
517CPMD.75.03	75W	9750lm	>130lm/W	>80	3000K-6500K	517x225x92mm

### TECHNICAL DRAWING



### LIGHT BEAM







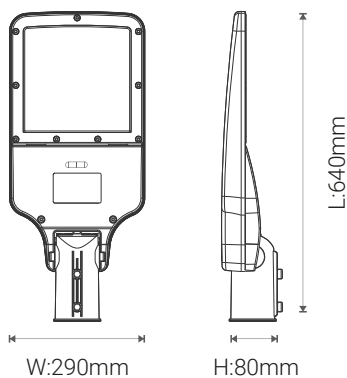
## Technical description

- Aluminium alloy die cast body
- Electrostatic powder coated surface finish
- PMMA optical street lighting lens
- Tempered extra clear safety glass
- SMD LED light source
- Fixed output electronic control gear
- 3-Step MacAdam color consistency
- UGR<22
- IK08 impact resistant
- Option: Switchable or dimmable, 1-10V, DALI, Touch-Dim, Casambi
- Option: NEMA socket can be integrated
- 100.000 hours life span (L80B10)
- 220-240VAC
- -20°C ... +50°C
- Pole connection sizes: 40mm/52mm/60mm

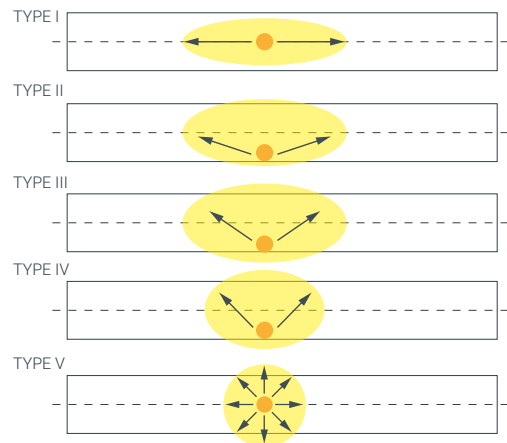
## TECHNICAL DATA

Code	W	Luminous Flux (lm)	Efficiency (lm/W)	CRI	Color Temperature	Dimensions WxLxH (mm)
640CPMX.100.03	100W	13000lm	>130lm/W	>80	3000K-6500K	640X290X80mm
640CPMX.120.03	120W	15600lm	>130lm/W	>80	3000K-6500K	640X290X80mm
640CPMX.150.03	150W	19500lm	>130lm/W	>80	3000K-6500K	640X290X80mm
640CPMX.200.03	200W	26000lm	>130lm/W	>80	3000K-6500K	640X290X80mm

## TECHNICAL DRAWING



## LIGHT BEAM



# E-volt

*Gücümüz Teknolojiden , Işığımız Yenilikten.*

**EVOLT ELEKTRİK MÜHENDİSLİK VE DANIŞMANLIK TİCARET LİMİTED ŞİRKETİ**

**Merkez Mah. Gülistan Sok. No:1 D:10 Çekmeköy / İSTANBUL**

**info@e-volt.com.tr    www.e-volt.com.tr**

**+090 530 555 48 40**